



If you like to swim in the sea, always make sure an adult knows and never swim near piers as the waters around the supports can be dangerous.

EXPLORER SAFETY

Seagulls can be really naughty. They like to steal chips and ice creams. If you stand with your back to the wall, they can't get you!

When you get home.

Collect shells with holes in to make a windchime or mobile

EXPLORER ACTIVITY

EXPLORER

Sharks teeth found at Walton could be between 3.6-20 million years old.



At Walton, near the Naze Tower, you can find all sorts of fossils.

FOSSIL HUNTING

Don't forget your reliable drink and sunscreen!

Essex has the second longest coastline in England after Cornwall. Walton Pier is the second longest in England after Southend-on-Sea. You can reach Southend on Greater Anglia trains from Shenfield.

EXPLORER FACTS

EXPLORER SPOTTERS

Look out to sea, how many things can you spot?



When you leave the beach, remember to leave only footprints. Please take your rubbish with you.

HAVE YOU SPOTTED SUNI?

- | | | |
|-----------------|-----------------|--------------------|
| COLCHESTER | ALRESFORD | FRINTON-ON-SEA |
| COLCHESTER TOWN | GREAT BENTLEY | KIRBY CROSS |
| THE HYTHE | WEELEY | CLACTON |
| WIVENHOE | THORPE-LE-SOKEN | WALTON-ON-THE-NAZE |

LOOK INSIDE FOR COLOURING FUN

See how many different animals and birds you can see on your journey. Rumour has it that cows lying down are a sign of rain.

EXPLORER ACTIVITY



WALTON	SEASIDE	CLACTON	BUCKET	BEACH	S E A S I D E M
SUNSHINE	SAND	FOSSILS	FLIPFLOPS	PIER	P U M B O D M I J
SPADE	PIER	FLIPFLOPS	CLACTON	BUCKET	R S N H B E A C H
SHELLS	FOSSILS	CLACTON	BUCKET	BEACH	B L O S H E L L S
SEASIDE	PIER	FOSSILS	FLIPFLOPS	PIER	J U T N H O T P K
SAND	PIER	FOSSILS	FLIPFLOPS	PIER	F E C P A I O R S
PIER	FOSSILS	CLACTON	BUCKET	BEACH	L A T K Y M N E T
FOSSILS	FLIPFLOPS	CLACTON	BUCKET	BEACH	P I E R K T P L S
FLIPFLOPS	CLACTON	BUCKET	BEACH	PIER	F O S S I L S
CLACTON	BUCKET	BEACH	PIER	FOSSILS	O P N O T C A L C
BUCKET	BEACH	PIER	FOSSILS	FLIPFLOPS	P A D E R J M P
BEACH	PIER	FOSSILS	FLIPFLOPS	CLACTON	S P A D E

SUNI'S WORDSEARCH



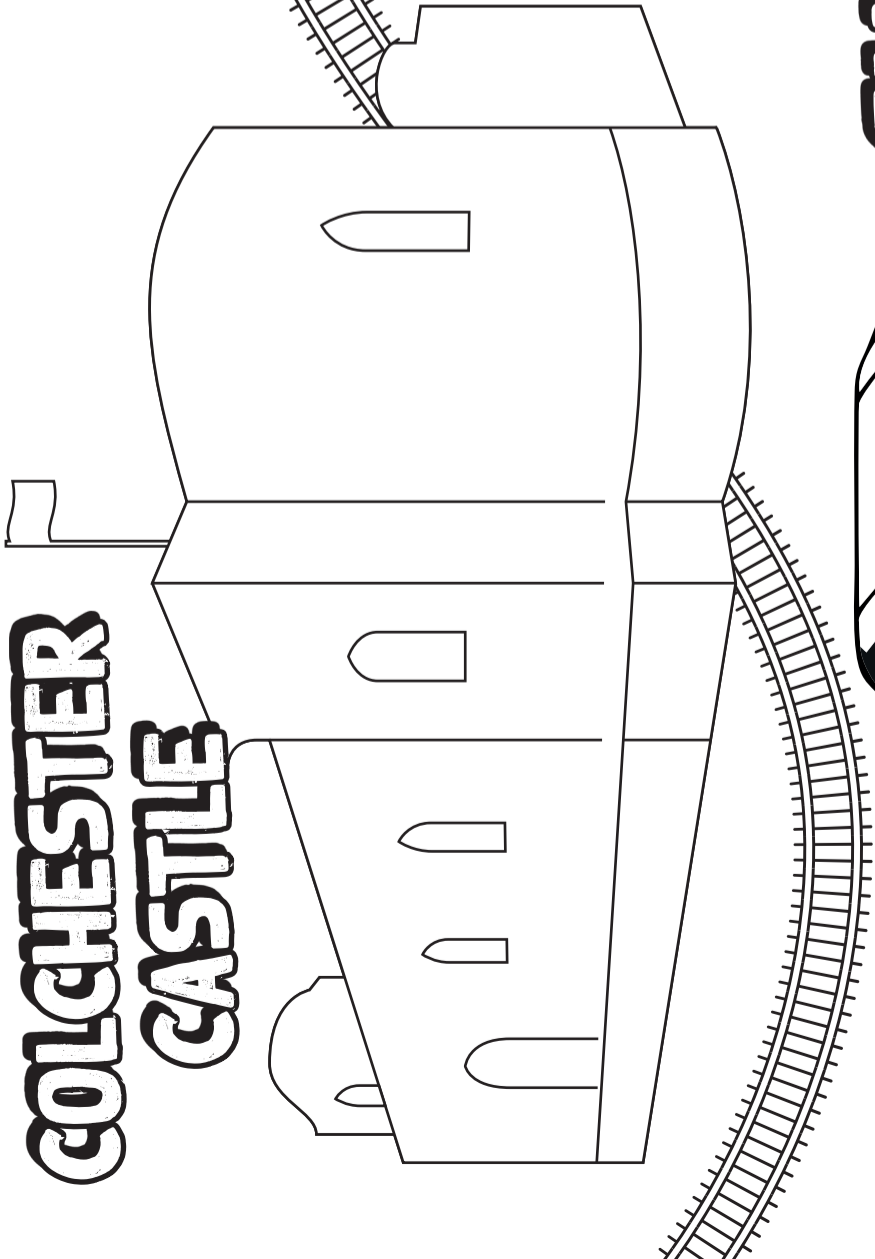
YOUNG EXPLORERS ACTIVITY BOOK



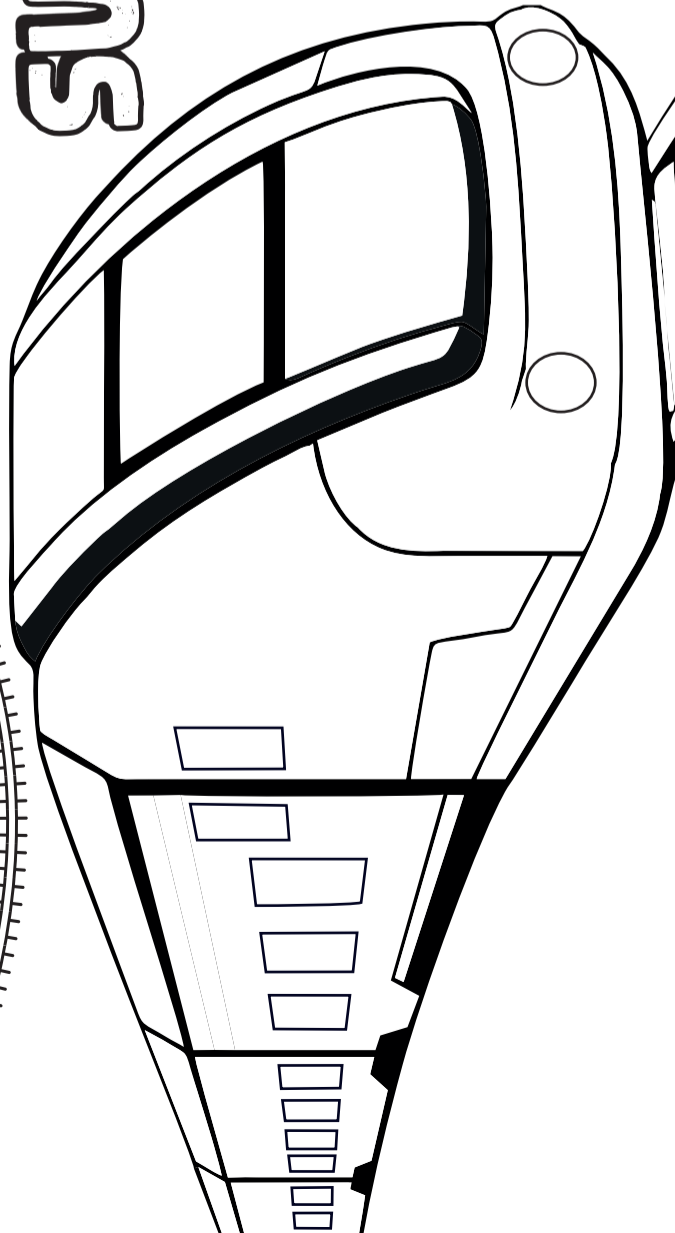
Suni sunflower pops up at all our stations on the Sunshine Coast route - can you spot every one?



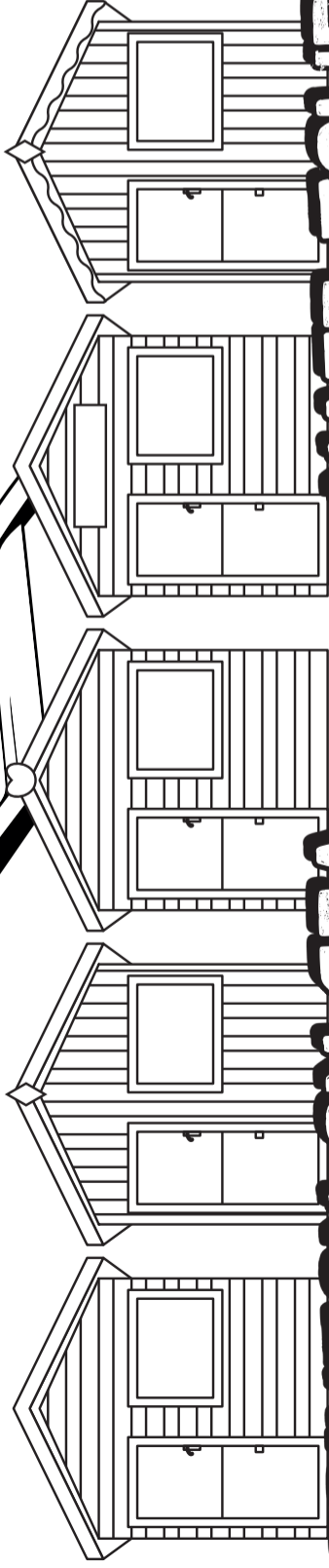
**COLCHESTER
CASTLE**



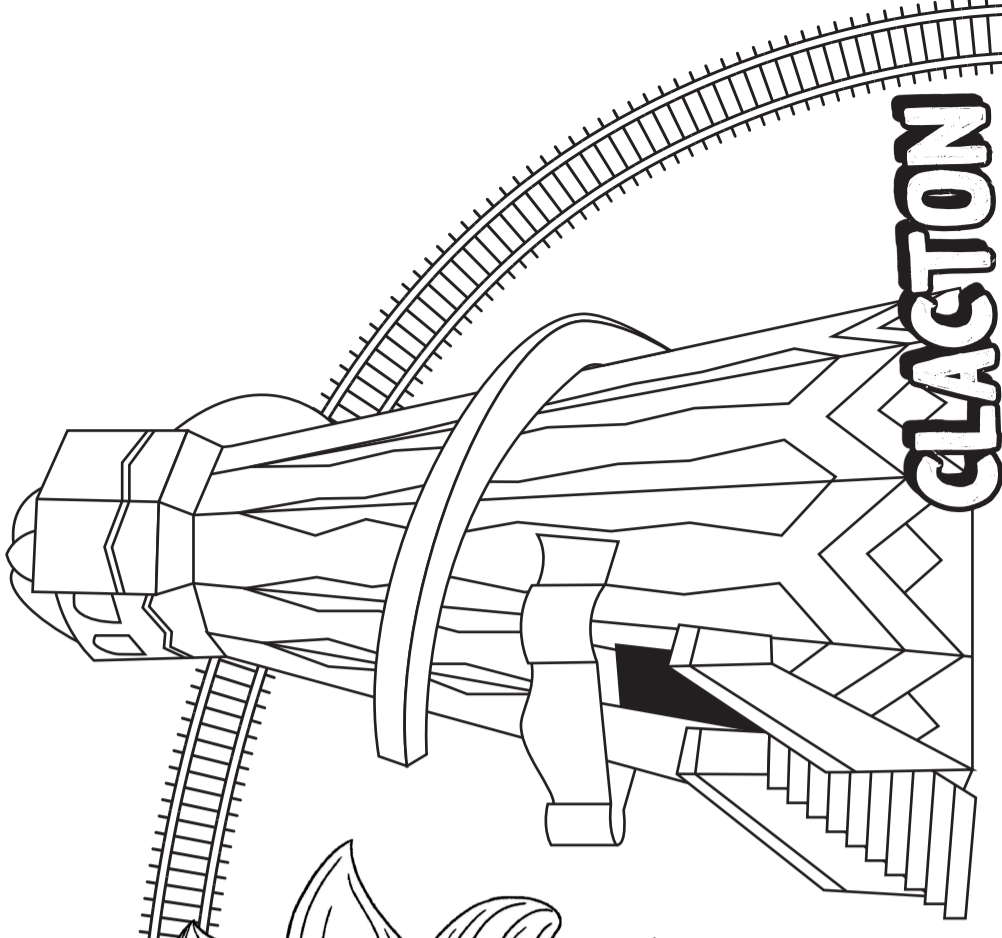
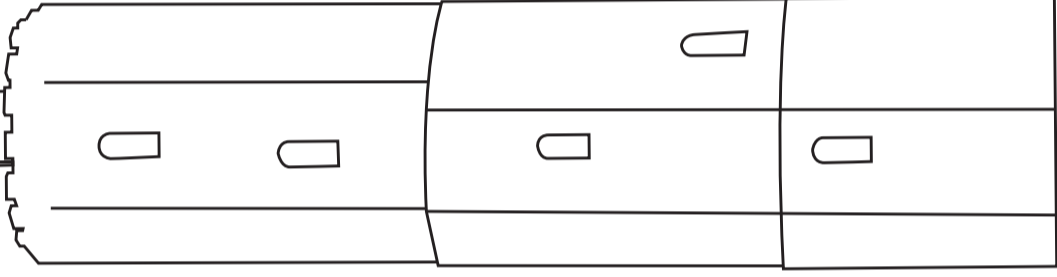
**SUNI
SUNFLOWER**



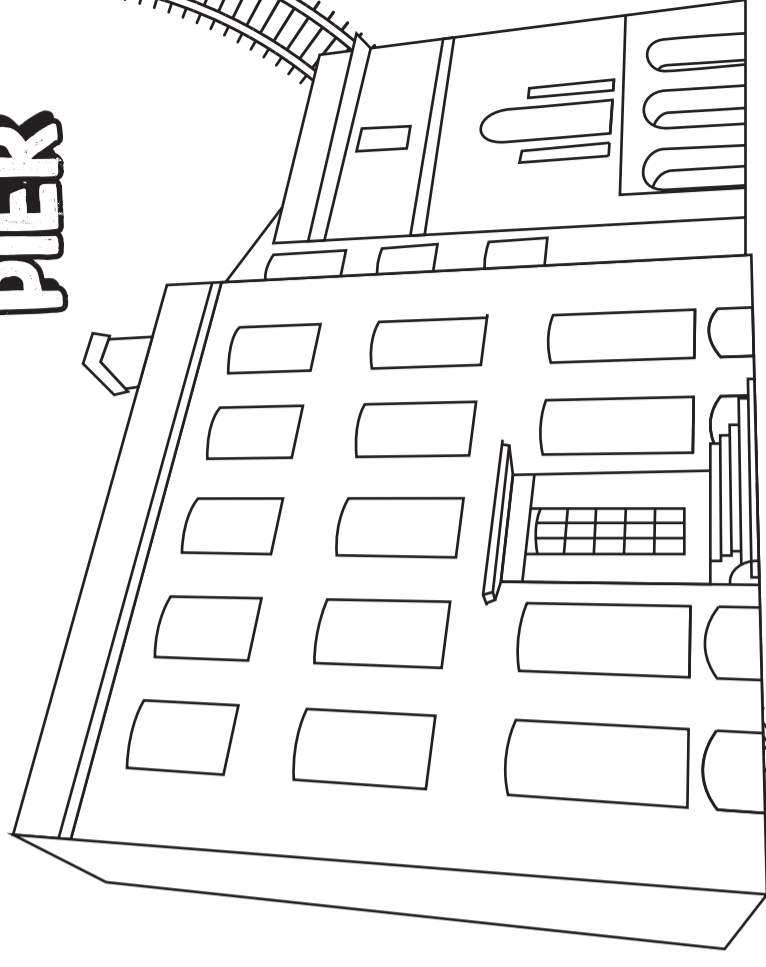
FRINTON-ON-SEA



**NAZE TOWER
WALTON-ON-THE-NAZE**



**GLACTON
PIER**



**HOLLYTREES MUSEUM
COLCHESTER**

